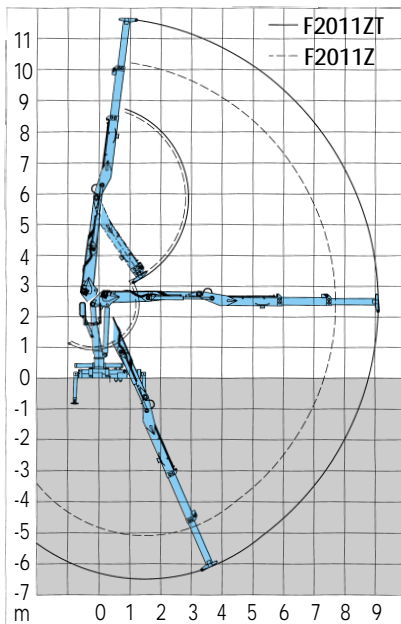
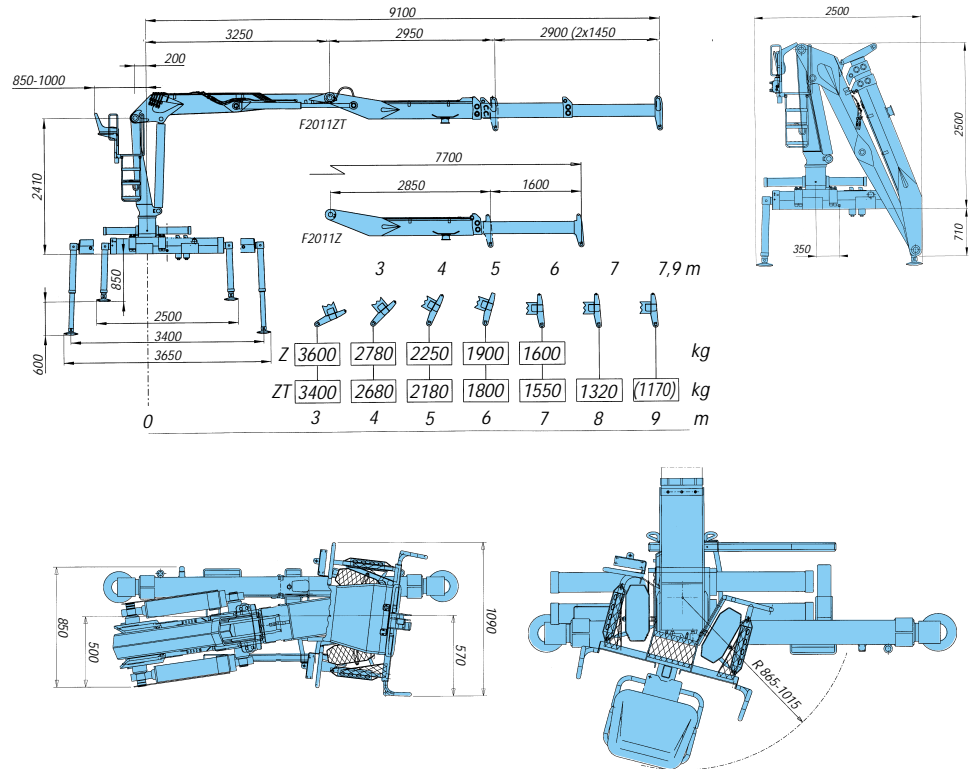


FORESTERI 2011Z/2011ZT

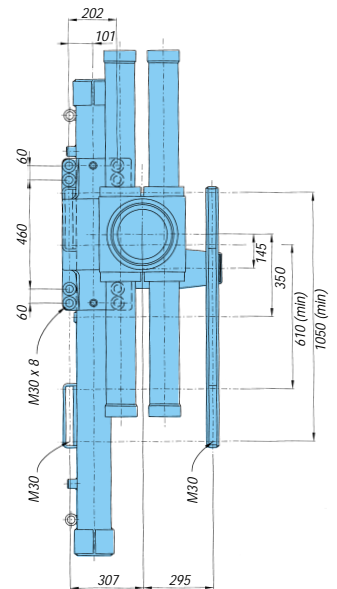
OUTREACH DIAGRAM



ALLOWED LOADS



BASE DRAWING



TECHNICAL SPECIFICATIONS FORESTERI			F2011Z	F2011ZT
Lifting capacity	gross	kNm (tm) lbf	140 (14,3) 103300	
	net	kNm (tm) lbf	110 (11,2) 81100	105 (10,7) 77400
Outreach		m ft	7,9 25'11"	9,6 31'6"
Stroke of boom extension		mm ft	1600 5'3"	2 x 1450 2 x 14'9"
Slewing torque	gross	kNm lbf	21 15300	
			415	
Weight with control unit and stabilizers. Less oil, grapple and rotator		kg lbs	2150 4740	2290 5050
	Pump recommendation			
- working pressure		MPa (bar) PSI	24 (240) 3410	
- flow	single pump	l/min gpm	70-90 (F130) 15-20	
	double pump	l/min gpm	2 x 60-80 (F130) 2 x 13-18	
- power input	single pump	kW (hp)	28-36 (38-49)	
	double pump	kW (hp)	48-64 (65-87)	

All details are subject to change without notice. Listed values without obligation. Loaders illustrated with options.

MANUFACTURED BY:

KESLA OYJ

P.O. BOX 282
FIN-80101 JOENSUU, FINLAND
Tel. +358 (13) 682 841
Fax +358 (13) 682 8300
www.kesla.com

DISTRIBUTED BY:

SALES AND SERVICE:

Z FORESTERI

2011Z/2011ZT

TIMBER TRUCK LOADER

