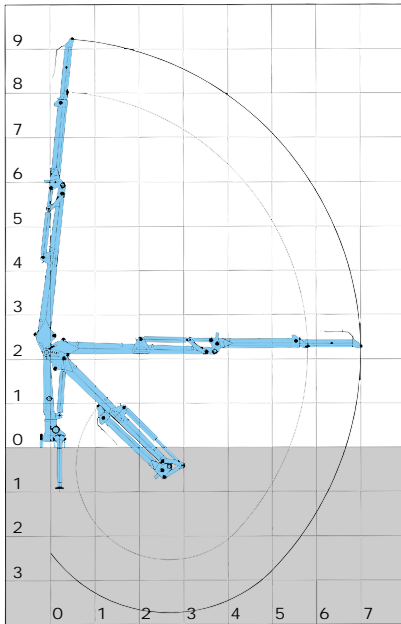
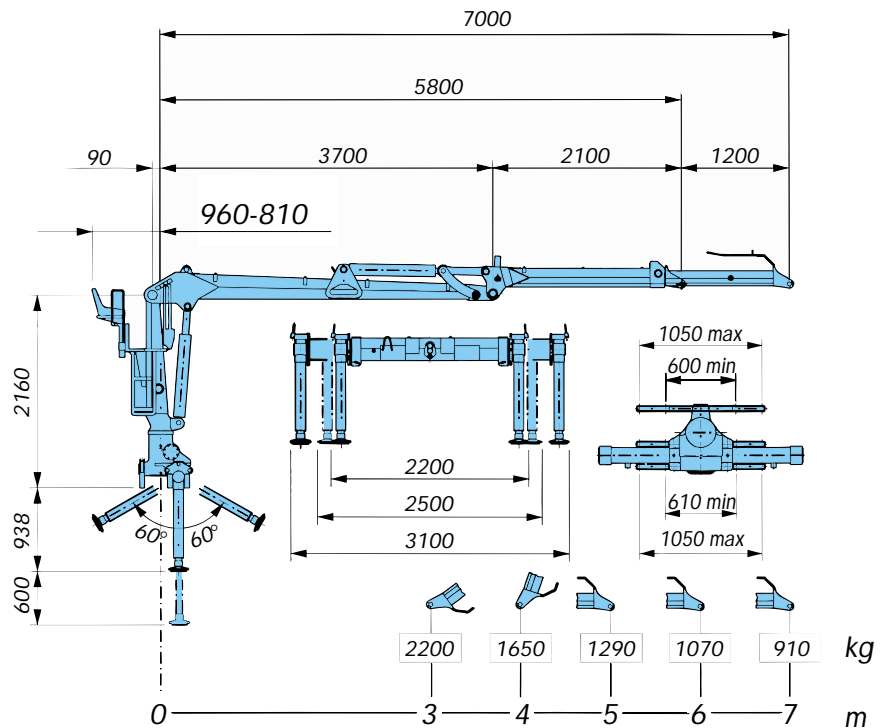


FORESTERI 2006

OUTREACH DIAGRAM

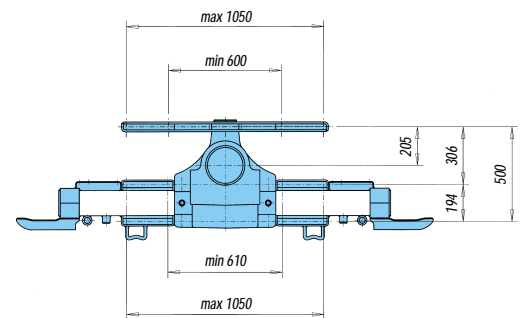


ALLOWED LOADS



TECHNICAL SPECIFICATIONS FORESTERI 2006			
Lifting capacity	(gross)	kNm	85
	(net)	kNm	65
Max. horizontal reach		mm	7000
Stroke of boom extension		mm	1200
Lifting capacity at 4 m radius		kg	1650
Slewing torque		kNm	14,6
Slewing angle		°	415
Weight with top seat and controls without oil, grapple and rotator		kg	1590
Pump recommendation:			
– working pressure		bar	230
– flow		l/min	60-80
– power input		kW	23-31
All details are subject to change without notice. Listed values without obligation.			

BASE DRAWING



<p>MANUFACTURED BY:</p> <p>KESLA OYJ</p> <p>P.O. BOX 282 FIN-80101 JOENSUU, FINLAND Tel. +358-13-682 841 Fax +358-13-682 8300 www.kesla.com</p>	<p>DISTRIBUTED BY:</p>	<p>SALES AND SERVICE:</p>
--	------------------------	---------------------------

F FORESTERI

2006

TIMBER TRUCK LOADER

